

2019

12526

19.1.0

ISO9001

ISO14001

OHSAS18001

/

.....	1
.....	1
.....	1
.....	1
.....	2
.....	3
.....	4
.....	4
.....	5
.....	5



1		LHG-2M	
2		HTD12526	

1	LHG-2M	50 ~200	0.16m/s	360mL
2	HTD12526	50 ~200	0.16m/s	360mL

LHG-2M

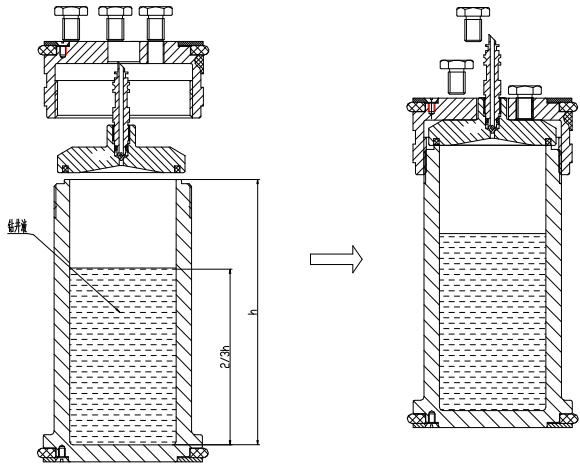
HTD12526

1

$\frac{2}{3}$  260mL

2

3



4

5

1

2

3

4

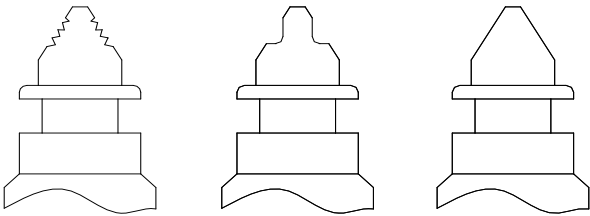
1

2

5

3

GB/T 25480-2010

		O	
		3	
			



- 1
- 2
- 3





320

10

0532-87605016/87605018

0532-87660287

0532-87604773

[www.haitongda.com](http://www.haitongda.com)

[haitongda@vip.sina.com](mailto:haitongda@vip.sina.com)