

2019

10510

19.1.0

ISO9001

ISO14001

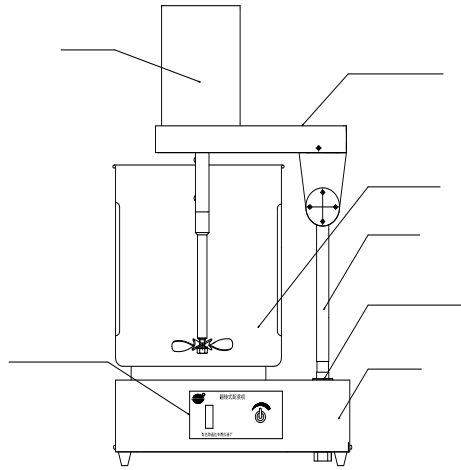
OHSAS18001

/

.....	1
.....	1
.....	1
.....	1
.....	2
.....	3
.....	3
.....	4
.....	5
.....	5

1		PJ-10L

1		AC 220 11 V 50Hz
2		0.6KW
3		0 3000r/min



1

2

3

4

1

2

3

4

1

2

5

3

GB/T 25480-2010

- 1
- 2
- 3

320

10

0532-87605016/87605018

0532-87660287

0532-87604773

www.haitongda.com

haitongda@vip.sina.com