

2019

12530

19.1.0

ISO9001

ISO14001

OHSAS18001

/

.....	1
.....	1
.....	1
.....	1
.....	2
.....	3
.....	4
.....	4
.....	5
.....	5

1		LHG-2	
2		LHG-3	
3		LHG-2A	

1	LHG-2	50 ~200	0.16m/s	500mL
2	LHG-3	50 ~260	0.16m/s	500mL
3	LHG-2A	50 ~200	0.16m/s	500mL

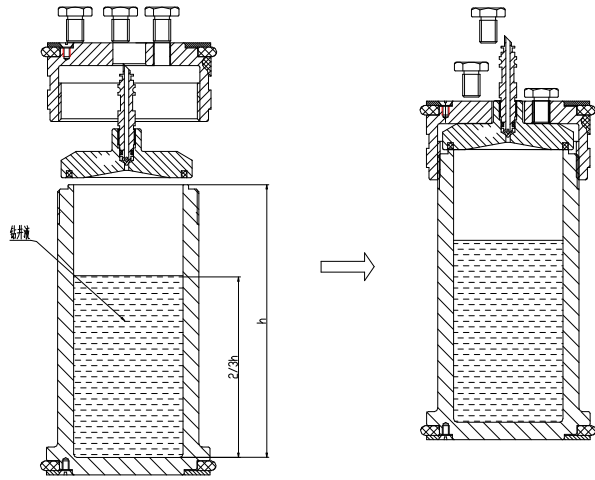
LHG-2

1

$\frac{2}{3}$ 325mL

2

3



4

5

1

2

3

4

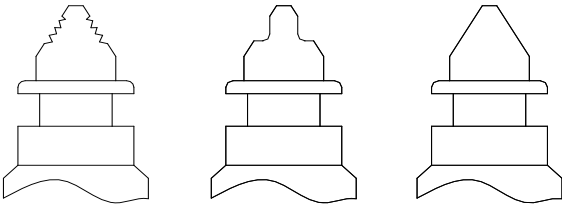
1

2

5

3

GB/T 25480-2010

		O	
		3	
			

- 1
- 2
- 3

320

10

0532-87605016/87605018

0532-87660287

0532-87604773

www.haitongda.com

haitongda@vip.sina.com